

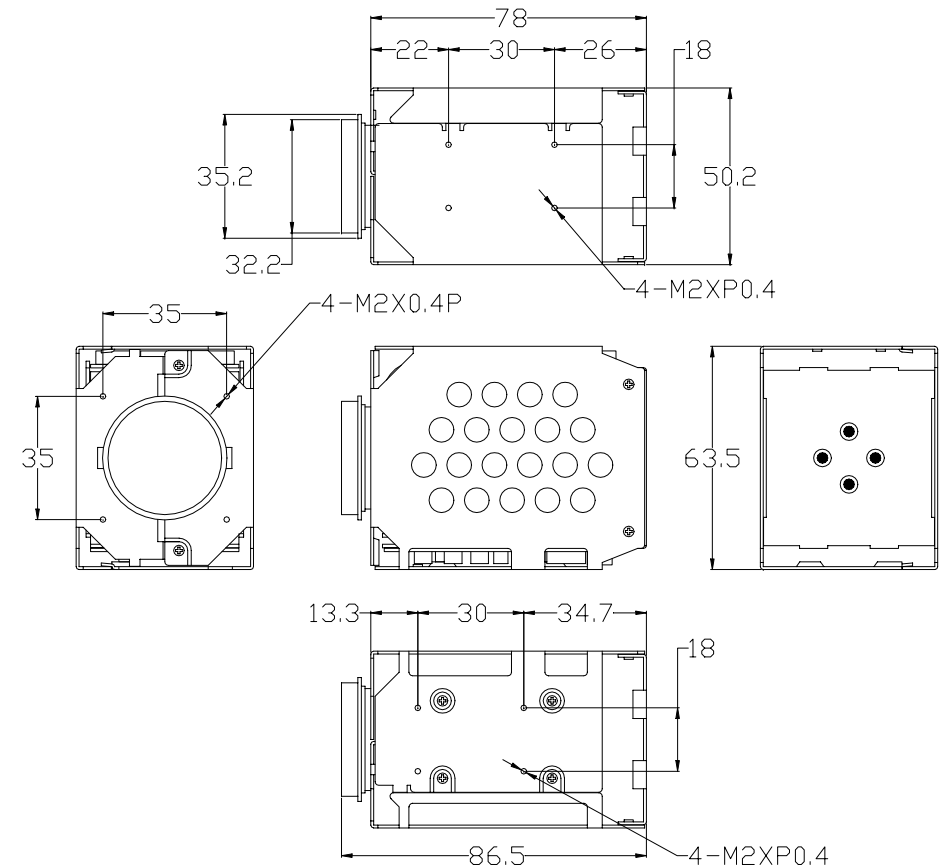
54G2HN / 54G2HP CAMERA INSTRUCTION

SPECIFICATION

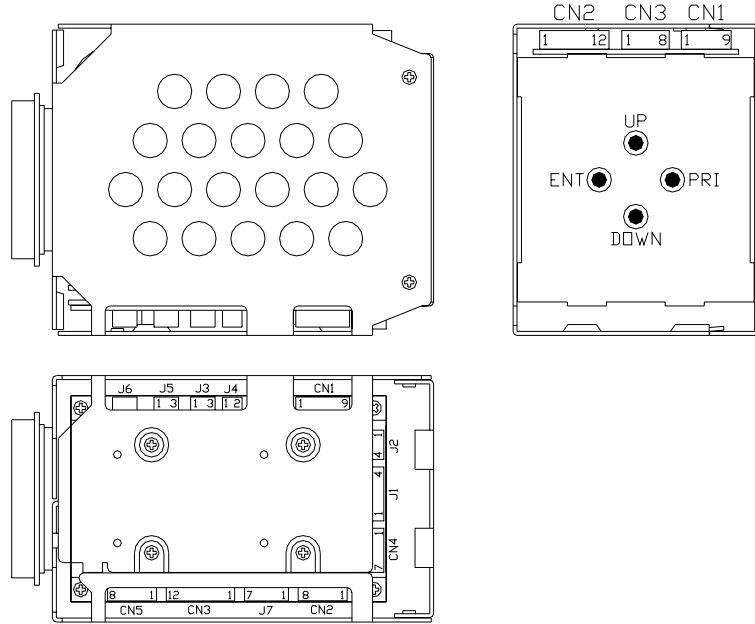
MODE NO.	MTV-54G2HN	MTV-54G2HP
TV SYSTEM	NTSC	PAL
IMAGE SENSOR	1/4-inch CCD Image Sensor	
CCD TOTAL PIXELS	811(H) X 508(V)	795(H) X 596(V)
SCANNING SYSTEM	525 lines, 60 fields/sec	625 lines, 50 fields/sec
SYNC SYSTEM	Internal / VD-Lock	
MINIMUM ILLUMINATION	Typical	1.5 Lux (F1.2, 5600°K)
	Start light Mode	0.03 Lux (F1.2, 5600°K)
RESOLUTION	480 TVL	
S / N RATIO	48dB (MIN) / 52dB (TYP) (AGC OFF, r=1, APC OFF, Y-OUT)	
WHITE BALANCE	ATW / AWB / FIX (Zero color rolling)	
WHITE BALANCE RANGE	3200 ~ 9600 °K	
B.L.C. FUNCTION	Super BLC, 48 zone BLC	
GAMMA CORRECTION	0.45	
AGC	AUTO (18dB max)	
ALC	AUTO / FIX	
IMAGE NEGATIVE	Select by OSD menu	
CROSS LINE	ON/OFF Select by OSD menu (position adj. by software)	
FREEZE FUNCTION	Alarm in trigger or Select by OSD	
ELECTRONIC SHUTTER	AES : 1/60(1/50) ~ 1/120,000 sec. / MANU : 8 step	
LENS	Canon 22X optical ZOOM LENS ,F1.6~3.7,f=3.7~85.1mm	
MOTOR- ZOOM / FOCUS / IRIS	500,000 times life	
ZOOM	220X (22X optical 10Xdigital)	
FOCUS	Auto / Manual	
POSITION	64 Position (Zoom , Focus)	
VIDEO OUTPUT	Composite & Y/C output 1.0Vp-p at 75 ohm	
CONTRAL FUNCTION	Dry Switch , RS-232C(Drive option) , OSD control	
COMMUNICATION BAUD RATE	9600 BPS	
OPERATION TEMPERATURE	-10 TO 50	
OPERATIONAL HUMIDITY	within 85 % RH	
POWER SUPPLY	DC12V±1V / 3.6W(Max)	
DIMENSIONS		

* The specifications and appearance of the product may changed without notice.

Dimension (Unit : mm)



CONNECTOR



MAIN BOARD (CONNECTOR TO OPTION BOARD)

CN1		CN2		CN3	
1	RS232C RXD (3.3V)	1	ALARM IN (L=Alarm)	1	GND
2	RS232C TXD (3.3V)	2	+5V (POWER OUT)	2	IRIS+/- (L=, H=+)
3	VD-IN (3.3V)	3	GND	3	NEAR / INF (L=INF, H=NEAR)
4	+12V(10%) POWER IN	4	Position Bit-2	4	TELE / WIDE (L=WIDE, H=TELE)
5	GND	5	V-Rev. (L=ON / H=OFF)	5	3.3V (POWER OUT)
6	C-out (Burst OUT)	6	H-Rev. (L=ON / H=OFF)	6	Position Bit-3
7	VBS (Video OUT)	7	Position Bit-1	7	Position Bit-4
8	Y-out (Y-signal OUT)	8	Position Bit-0	8	Position Bit-5
9	+3.3V (POWER OUT)	9	PRI (OSD BACK1)		
* P1-P3 : H=3.3V ± 10% L=0V ± 10%		10	ENT (OSD ENTER)	NOTE1	
		11	DW (OSD DOWN)		
		12	UP (OSD UP)		

NOTE1

CN3 - P2 : OPEN IS OFF , 0V-0.7V=L(-), 2.3V-3V=H(+)
 CN3 - P3 : OPEN IS OFF , 0V-0.7V=L(INF), 2.3V-3V=H(NEAR)
 CN3 - P4 : OPEN IS OFF , 0V-0.7V=L(WIDE), 2.3V-3V=H(TELE)

CN2-P4,P5,P6,P7,P8 & CN3-P6,P7,P8 OPEN IS 3.3V
 H=3.3V ± 10% / L=0V ± 10%

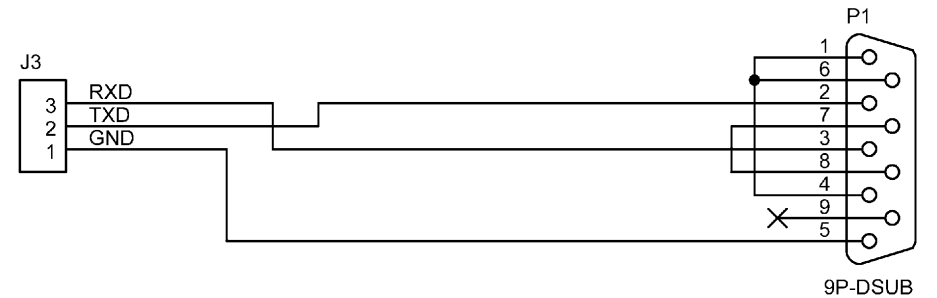
OPTION BOARD

J1		J2		CN4	
1	+12V (POWER IN)	1	GND	1	ZOOM+
2	GND	2	GND	2	ZOOM-
3	VIDEO - OUT	3	Y - OUT	3	FOCUS+
4	GND	4	C - OUT	4	FOCUS-
X		X		5	IRIS+
				6	IRIS-
				7	-----
CONNECTOR TO LENS CONTROL BOX USE ±6V-±12V					

CN1		CN2		CN3	
P1-P9	MAIN - CN1	P1-P8	MAIN - CN3	P1-P12	MAIN - CN2
CONNECTOR TO MAIN BOARD					

CN5		J7		J5		J3		J4		J6	
1	PRI - (OSD)	1	GND	1	GND	1	GND	1	AC-IN	NOT RELEASE	
2	ENTER - (OSD)	2	Position-Bit5	2	RXD	2	TXD	2	AC-IN		
3	DOWN - (OSD)	3	Position-Bit4	3	TXD	3	RXD	AC Signal Input for LINE-LOCK			
4	UP - (OSD)	4	Position-Bit3	RS-232C TTL Level Not Driver		RS-232C Include Driver					
5	H-REV	5	Position-Bit2								
6	V-REV	6	Position-Bit1								
7	ALARM - IN	7	Position-Bit0								
8	GND										

* [ALARM-IN] trigger input can be select two function either "image-freeze" or "focut to set position" , by OSD-menu.
 [CN5] Input-PIN connect to GND the function is active.



OSD FUNCTION SPECIFICATIO

[UP] : UP & RIGHT MOVE KEY
 [DOWN] : DOWN & LEFT MOVE KEY
 [ENTER] : ENTER KEY
 [PRI] : PRE CONFIRM KEY

Push [ENTER] key 2sec. to get into the MAIN menu.

Push [PRI] key 2sec. to leave menu.

If pushed [PRI] key, all set parameter data will be abandoned and return back to the previous menu page, this will occur while setting the parameter and without push [ENTER] key.

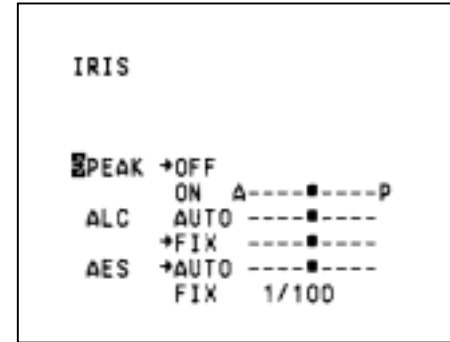
- [01]. MAIN MENU
- [02]. IRIS SELECT MENU
- [03]. BLC SELECT MENU
- [04]. AGC, SENS SELECT MENU
- [05]. COLOR SELECT MENU
- [06]. APC SELECT MENU
- [07]. LENS SELECT MENU
- [08]. REV. SELECT MENU
- [09]. POSITION SELECT MEMU
- [10]. TITLE SELECT MENU
- [11]. PRESET SELECT MENU
- NEXT PAGE -----
- [12]. MARK MENU

[01]. MAIN MENU



Push [ENTER] 2 senc, get into the main menu
 There are 10 items on the main menu, by up / down key to select item and push [ENTER] key to get into sub-item menu.

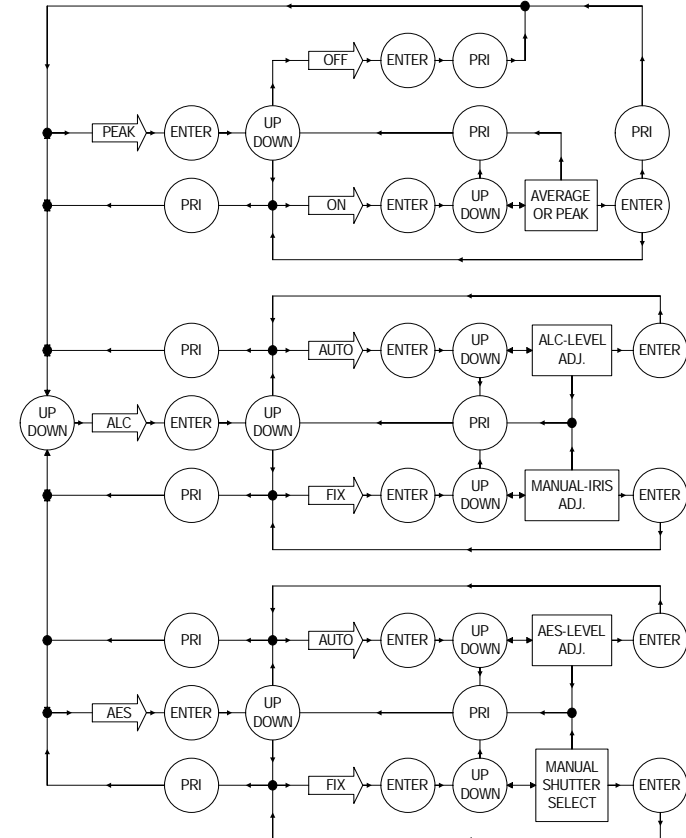
[02]. IRIS SELECT MENU



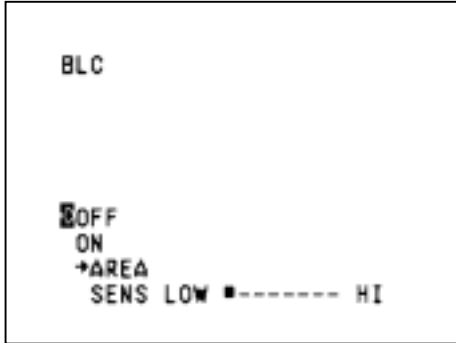
This is used to control the iris & shutter speed of the lens. It included 3 items "PEAK", "ALC", "AES".
 "PEAK" is used to control the reaction of auto iris, which is based on the average light of picture signal or the light rate of the peak.
 Please refer to [Fig 2-1] chart.
 "ALC" is used to select AUTO or MANUAL function.
 Please refer to [Fig 2-1] chart.
 "AES" is used to select electronic shutter be AUTO or MANUAL function. Please refer to [Fig 2-1] chart.
 (MANUAL: [OFF], [1/100(1/120)sec], [1/250sec], [1/500sec], [1/1000sec], [1/2000sec], [1/4000sec], [1/10000sec].)

After setting, push [PRI] key to go back to the main menu page.

Fig 2-1

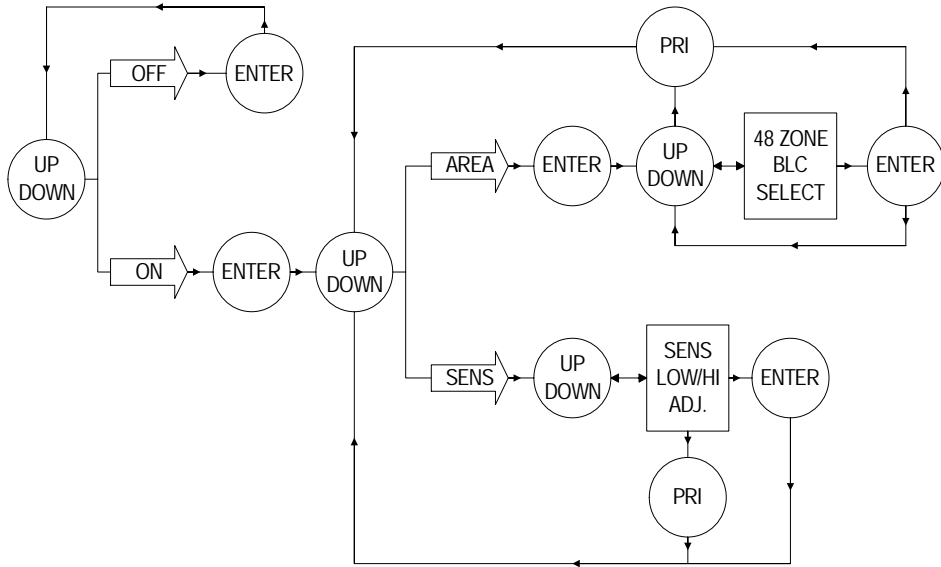


[03]. BLC SELECT MENU

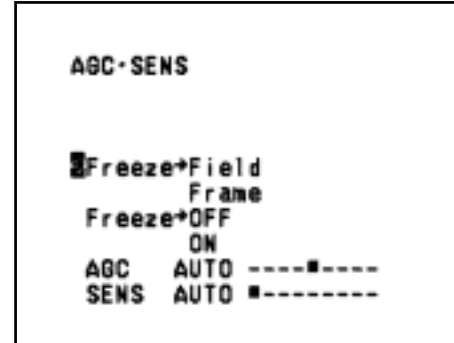


This is used to control "BLC" (Back Light Compensation), "ON" / "OFF"
 "ON" has 2 sub-items: "AREA", "SENS"
 "AREA" : 48 BLC zones can be set separately.
 According to the mask area (BLC zone) signal to decide the iris and shutter speed.
 "SENS": Is used to enhance the BLC effect.
 Please refer to [Fig 3-1] chart.
 After setting, push [PRI] key to go back to the main menu page.

Fig 3-1



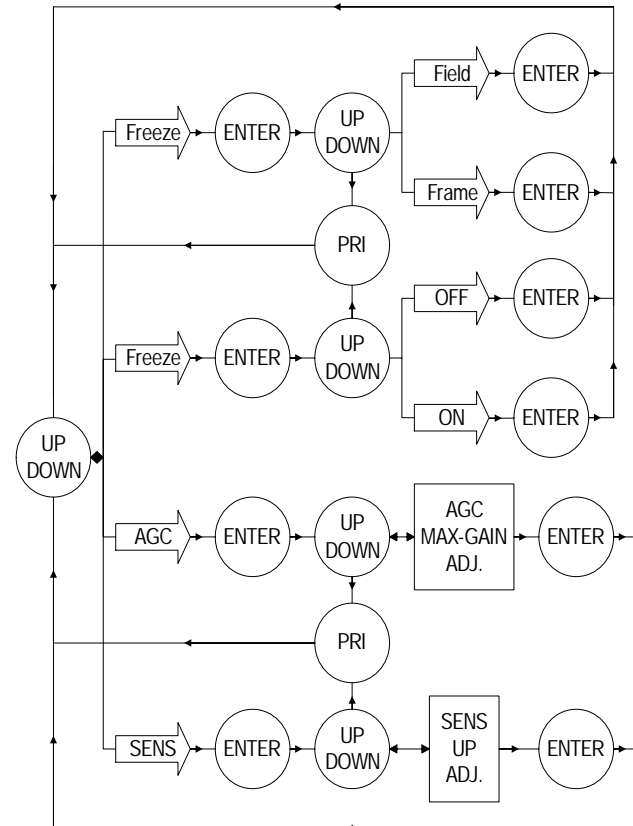
[04]. AGC, SENS SELECT MENU



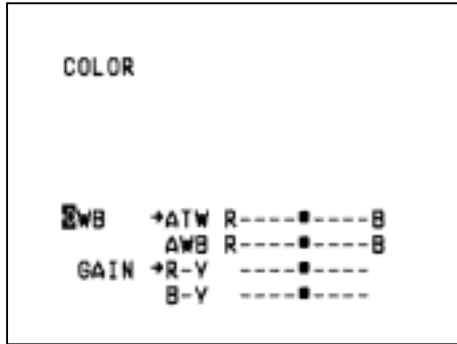
This is used to select "FREEZE" and "AGC", "SENS", function.
 "FREEZE": can be select "Field" or "Frame" two mode, and ON (Freeze)/OFF(Unfreeze)
 "AGC": To adjust auto gain control: 0dB, 2.25dB, 4.5dB, 6.75dB, 9dB, 11.25dB, 13.5dB, 15.75dB, 18dB, 9 steps adjustable.
 "SENS": For low light application: 0 Frame, 6 Frame, 12 Frame, 16 Frame, 18 Frame, 22 Frame, 24 Frame, 30 Frame, 36 Frame, 9 steps adjustable.
 Please refer to [Fig 4-1] chart.

After setting, push [PRI] key to go back to the main menu page.

Fig 4-1



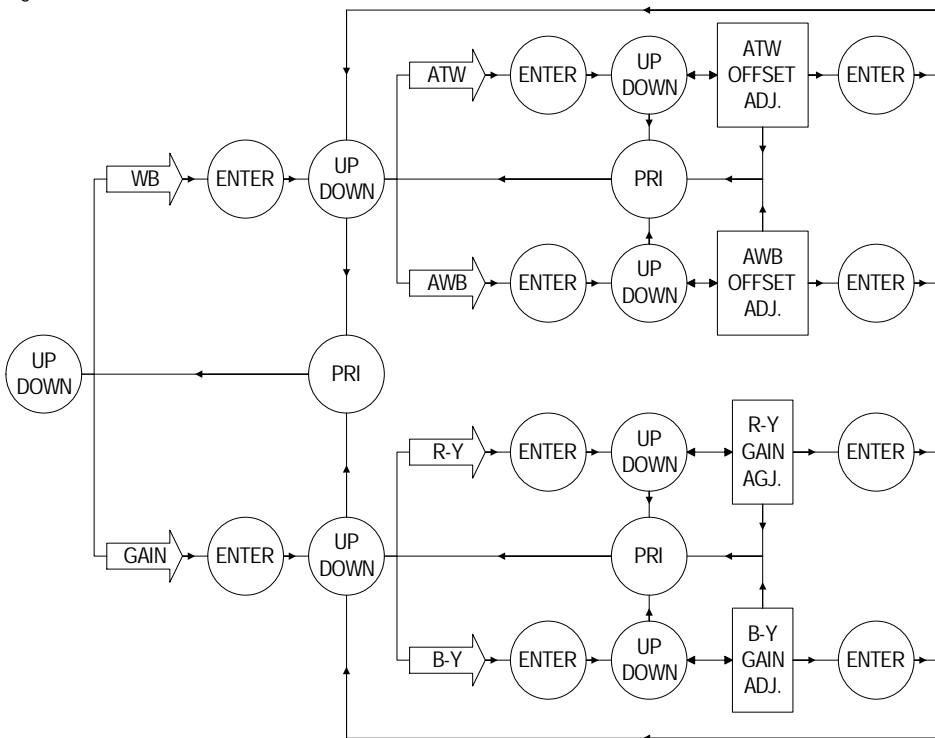
[05]. COLOR SELECT MENU



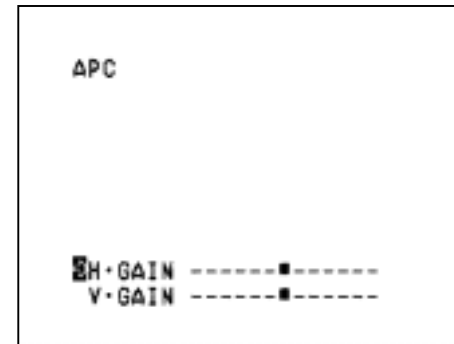
This is used to control the white balance and the gain rate of "RED" & "BLUE" color.
 "WB": White balance control: "ATW" / "AWB"
 ATW: Auto trace white balance
 AWB: One push white balance. Push "ENTER" key "AWB" will start flicker, until flicker stop it will lock the current color temperature at the same time.
 "GAIN": The gain rate of "RED" & "BLUE" can be adjusted separately.
 Please refer to [Fig 5-1] chart.

After setting, push [PRI] key to go back to the main menu page.

Fig 5-1



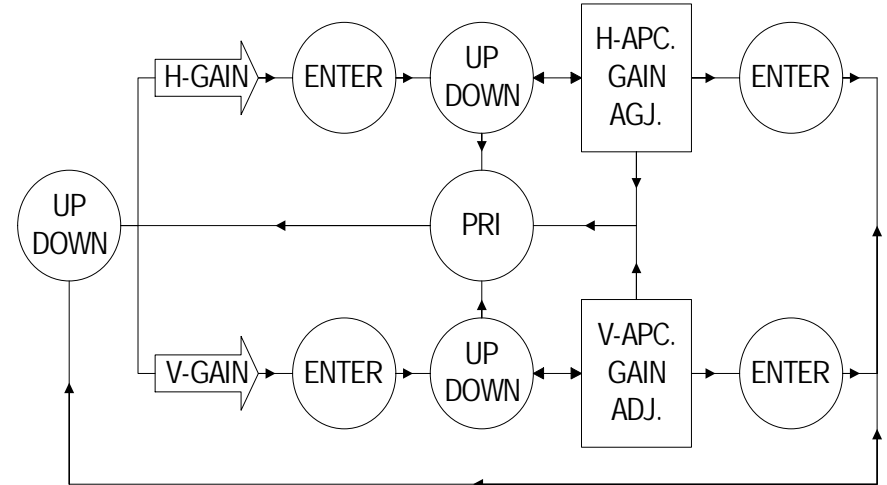
[06]. APC SELECT MENU



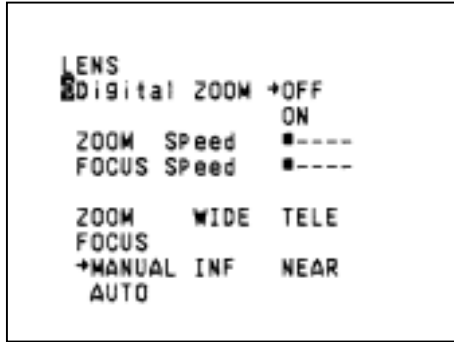
This is used to enhance the compensation of the picture quality.
 "H · GAIN": Horizontal Compensation
 "V · GAIN": Vertical Compensation

Please refer to [Fig 6-1] chart.
 After setting, push [PRI] key to go back to the main menu page.

Fig 6-1



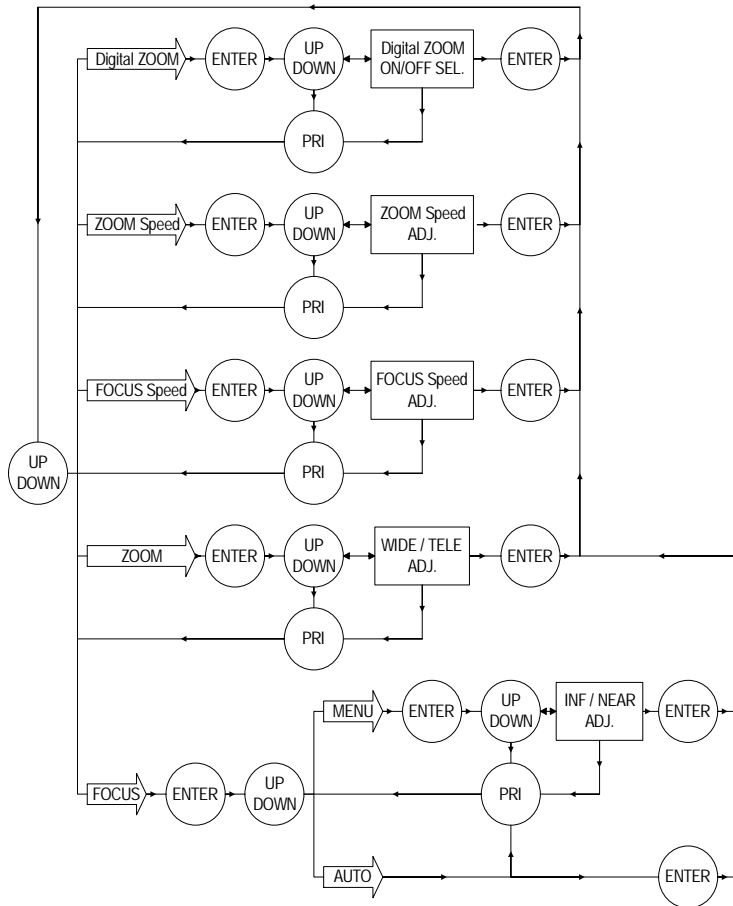
[07]. LENS SELECT MENU



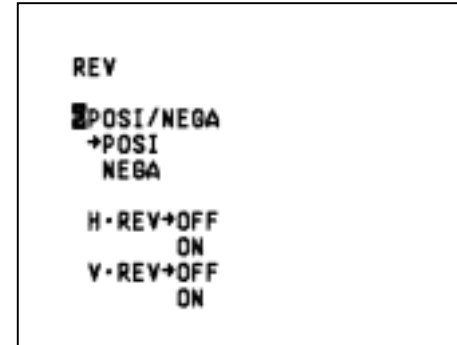
This is used to control the motion of the lens, included "Digital ZOOM" ON/OFF function.
 "ZOOM Speed": Set the speed of the zoom
 "FOCUS Speed": Set the speed of auto-focus
 "ZOOM": WIDE / TELE
 "FOCUS": AUTO / MANUAL setting

Please refer to [Fig 7-1] chart.
 After setting, push [PRI] key to go back to the main menu page.

Fig 7-1



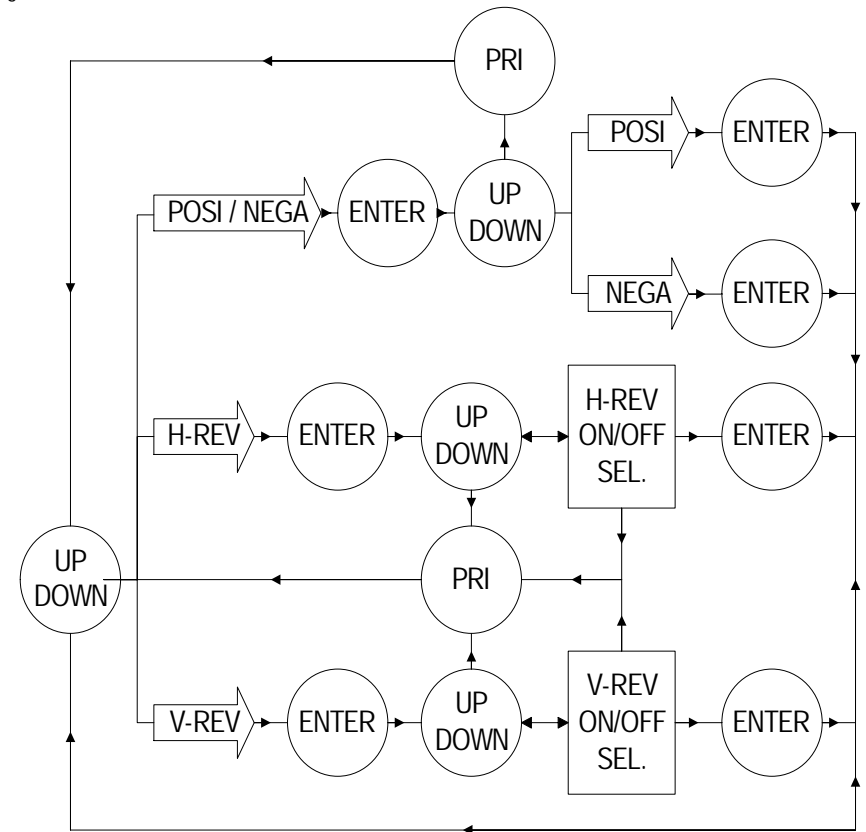
[08]. REV. SELECT MENU



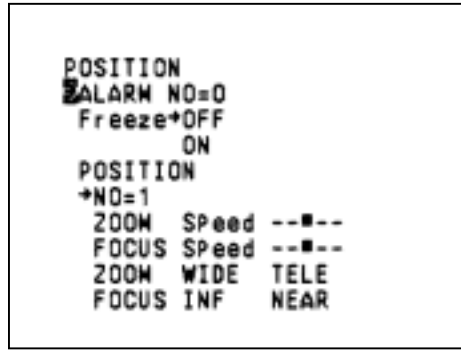
This is used to select image "Positive" and "Negative" "Horizontal Reverse" and "Vertical Reverse" function.
 POSI/NEGA: Image positive & negative select.
 H.REV: Horizontal Reverse (Mirror) ON/OFF
 V.REV: Vertical Reverse (Up-side down) ON/OFF

Please refer to [Fig 8-1] chart.
 After setting, push [PRI] key to go back to the main menu page.

Fig 8-1



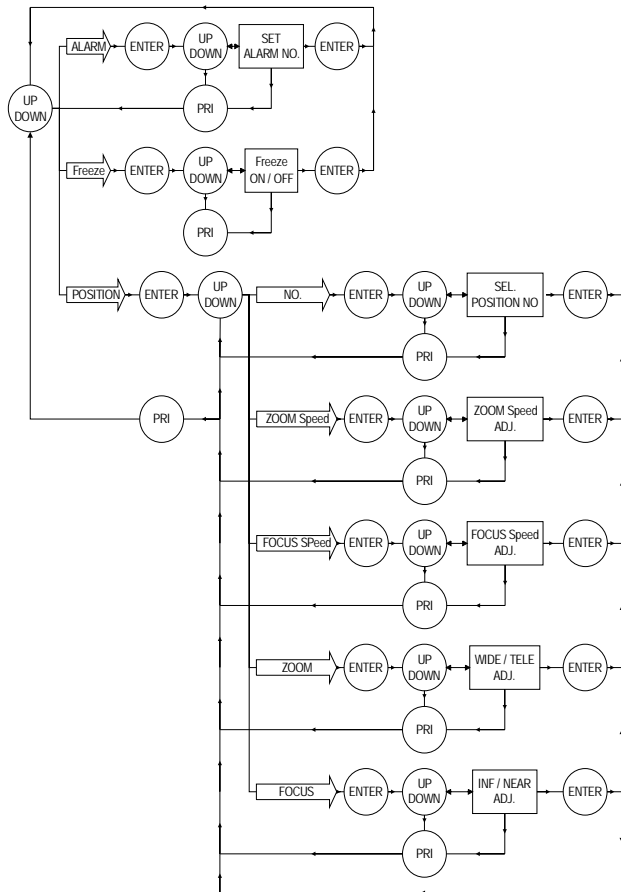
[09]. POSITION SELECT MEMU



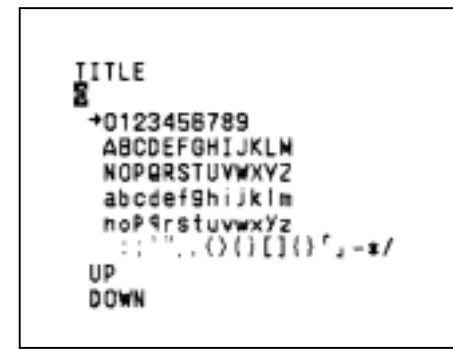
This is used to set "Alarm-in" function, either "alarm position" or "Image freeze". Freeze is set on mode, "ALARM-IN" is freeze trigger input. The alarm position have 64 steps (position) can be programed. By this program, the zoom & focus may go to the exactly position where is programed.

Please refer to [Fig 9-1] chart. After setting, push [PRI] key to go back to the main menu page.

Fig 9-1



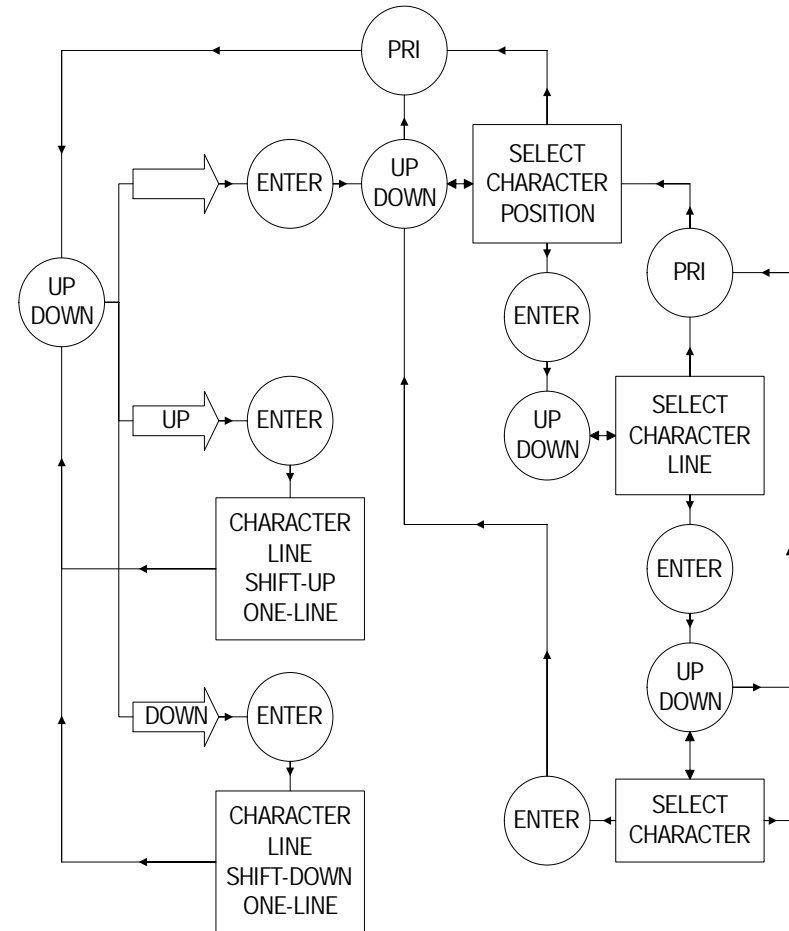
[10]. TITLE SELECT MENU



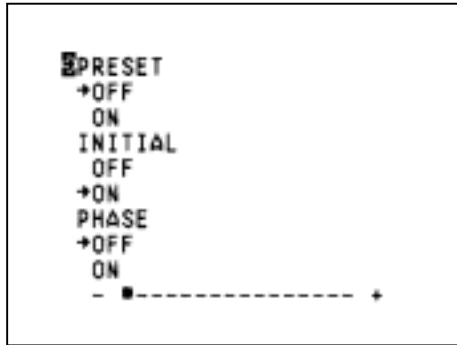
This is used to set up the ID figures & position on the screen. (Title setting)

Please refer to [Fig 10-1] chart. After setting, push [PRI] key to go back to the main menu page.

Fig 10-1



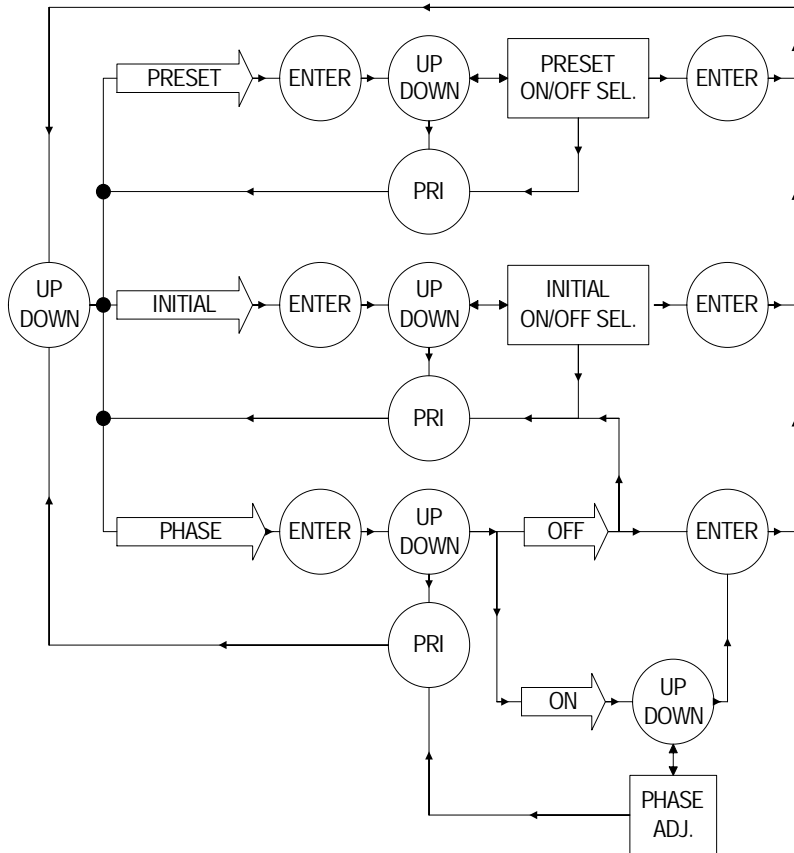
[11]. PRESET SELECT MENU



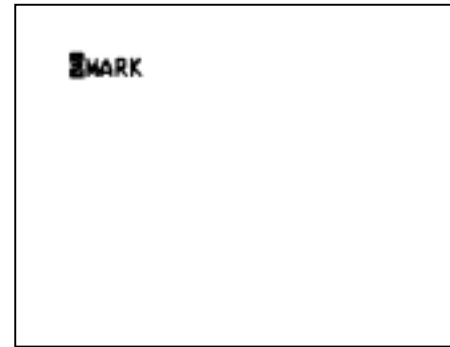
This is used to select the camera go back to "PRESET", "INITIAL", "PHASE" condition

Please refer to [Fig 11-1] chart.
 After setting, push [PRI] key to go back to the main menu page.

Fig 11-1

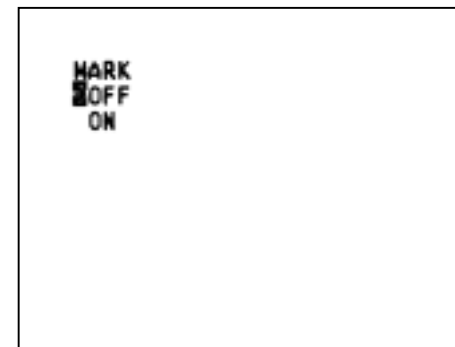


[11]. MARK MENU



The menu at next page at "PRESET" position push [DOWN] key can into this menu.

Push [ENTER] key into ON/OFF select menu



Please refer to [Fig 12-1] chart.

Fig 12-1

